



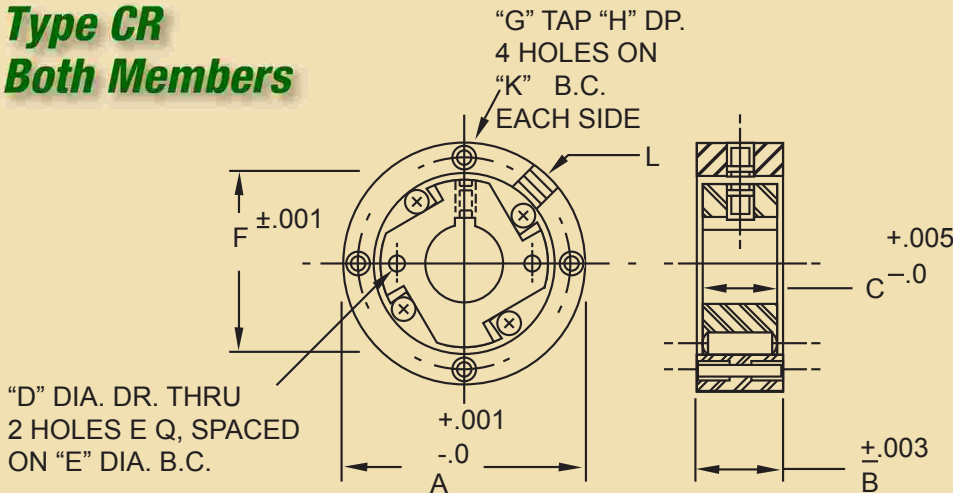
## Cam & Ring Assembly

Available with and without thick covers. Covers are extra and are mounted to one side or both sides of rim.

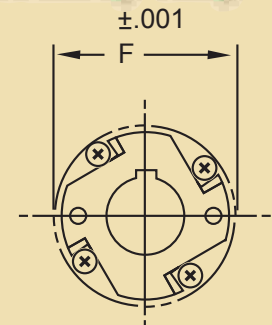
This roller ramp clutch assembly is the ideal way to apply a simple but effective, low cost approach to building the parts into your machine design.



### Type CR Both Members



### Type C Cam Assembly Only



**CAMS SOLD WITH  
SPRINGS AND ROLLERS**

Cam & Ring Ass'y No.	Cam Ass'y No.	A	B	C	D	E	F	G	H	K	L	Standard Bores	Rating	
													Torque Lbs./Ft.	Speed RPM
CR 5	C5	1.500	.647	.630	9/64	.832	1.020	6-32	7/32	1.280	8-32	1/4, 3/8, 1/2	5	1800
CR 14	C14	1.876	.647	.630	9/64	1.125	1.375	6-32	9/32	1.687	8-32	3/8, 1/2, 5/8	14	1800
CR 28	C28	2.625	.772	.755	13/64	1.424	1.905	8-32	3/8	2.275	10-32	5/8, 3/4, 7/8	28	1500
CR 100	C100	3.501	1.032	1.015	17/64	1.875	2.640	10-32	3/8	3.000	10-32	3/4, 7/8, 1-1/8, 1-1/4	100	1000
CR 200	C200	4.376	1.622	1.605	17/64	2.650	3.280	1/4-20	7/16	3.812	1/4-20	1-1/2, 1-3/4, 2	200	800
CR 500	C500	5.876	1.785	1.770	-	-	4.550	5/16-18	1/2	5.250	5/16-18	2-1/4, 2-1/2, 2-3/4	500	600