



Overrunning Clutch

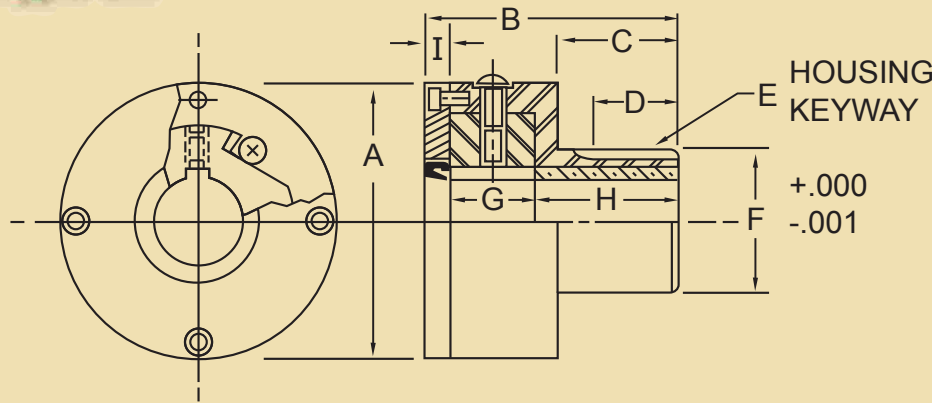
Available with and without seals. Seals extra.

This over-running clutch is easily applied to your new or existing over-running clutch application.

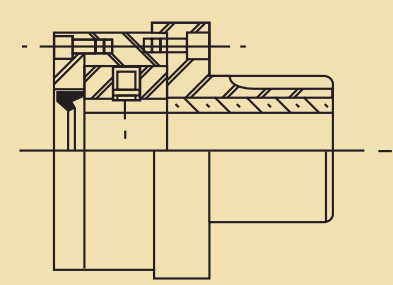
The solid carbon steel design allows these industrial clutches to compete with the heaviest torque clutches on the market. The roller ramp design allows these freewheeling clutches to spin up to 1,800 RPM's (see assembly rating chart), with no thermal breakdown.



Type OR



Type ORB



Ass'y No.	A	B	C	D	E	F	G	H	I	Standard Bores	Rating	
											Torque Lbs./Ft.	Speed RPM
OR 5	1-5/8	1-15/16	13/16	7/16	3/16 X 3/32	.875	.630	1-1/16	1/4	1/4, 3/8, 1/2	5	1800
OR 14	2	2-1/8	1	9/16	3/16 X 3/32	1.250	.630	1-3/16	5/16	3/8, 1/2, 5/8	14	1800
OR 28	2-5/8	2-23/32	1-5/16	15/16	3/16 X 3/32	1.375	.755	1-3/4	5/16	5/8, 3/4, 7/8	28	1500
OR 100	3-3/8	3-1/16	1-7/16	1	1/4 X 1/8	1.750	1.015	1-3/4	5/16	3/4, 7/8, 1	100	1000
ORB100	3-5/8	3-11/32	1-1/2	13/16	3/8 X 3/16	2-1/4	1.015	2	5/16	3/4, 7/8, 1, 1-1/8, 1-1/4	100	1000
ORB200	4-1/2	4-1/2	2-1/16	1-5/16	3/8 X 3/16	3	1.605	2-1/2	3/8	1-1/2, 1-3/4, 2	200	800
ORB500	6	5-5/32	2-1/2	2	1/2 X 1/4	4-1/2	1.770	3	3/8	2-1/4, 2 -1/2, 2-3/4	500	600

www.daytonsuperiorproducts.com

Dayton Superior Products | 1370 Lytle Road, Troy, Ohio 45373 | TF: 800.227.9083 | Ph: 937.332.1930 | Fax: 937.332.1929